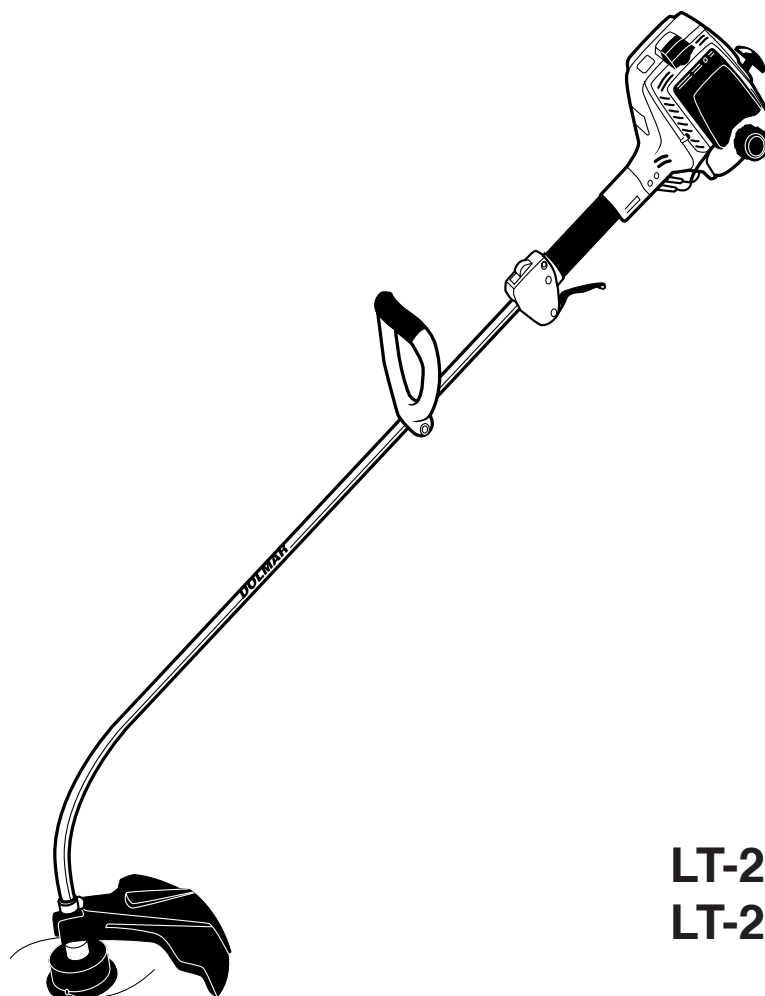


Spare Parts List

2006-03



LT-210
LT-250

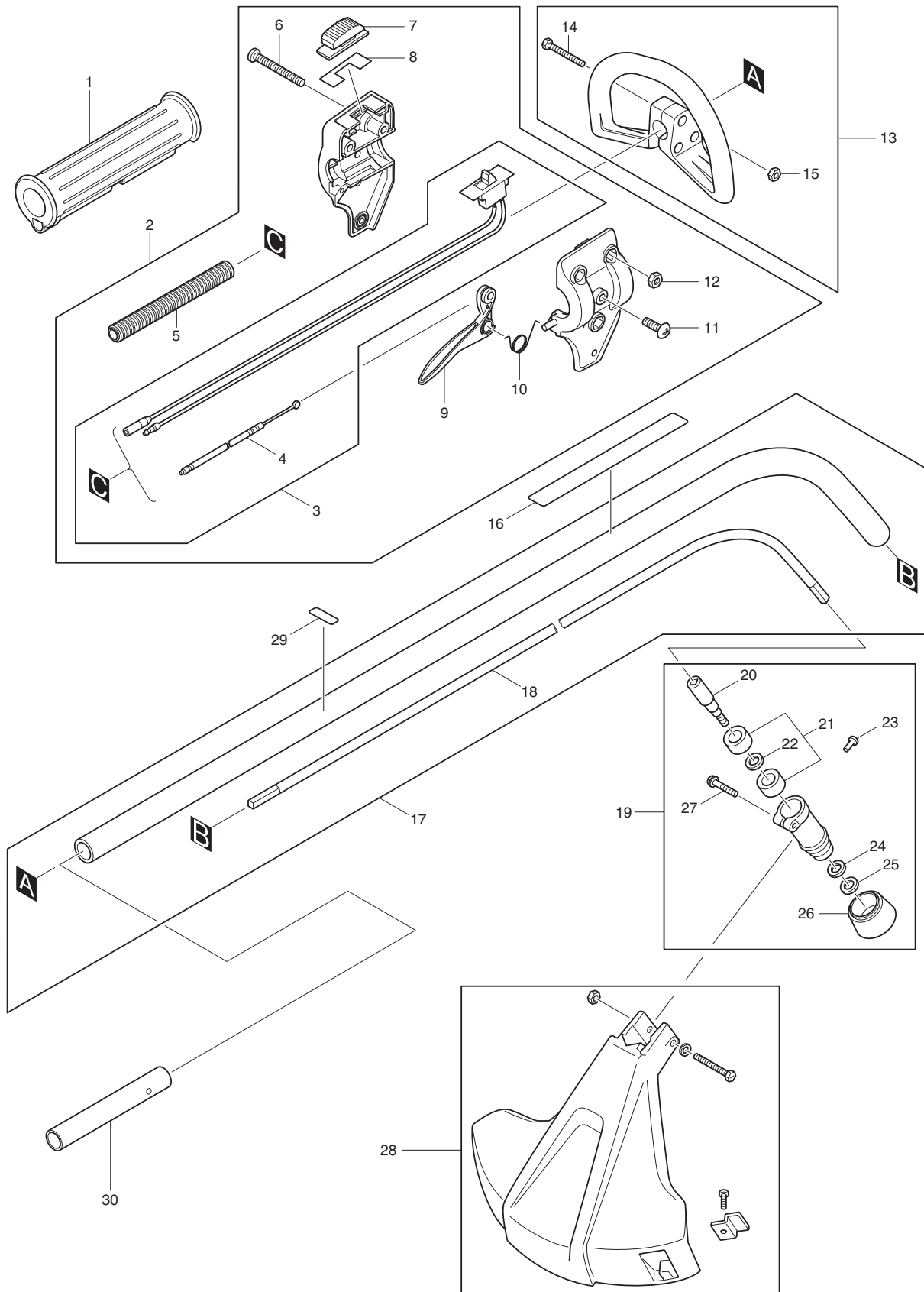
IMPORTANT! - To assure product SAFETY and RELIABILITY, repairs, maintenance or adjustments should be performed by DOLMAR Service Centers, or other qualified service organisations. Always use DOLMAR replacement parts.

DOLMAR



A member of the *Makita* Group

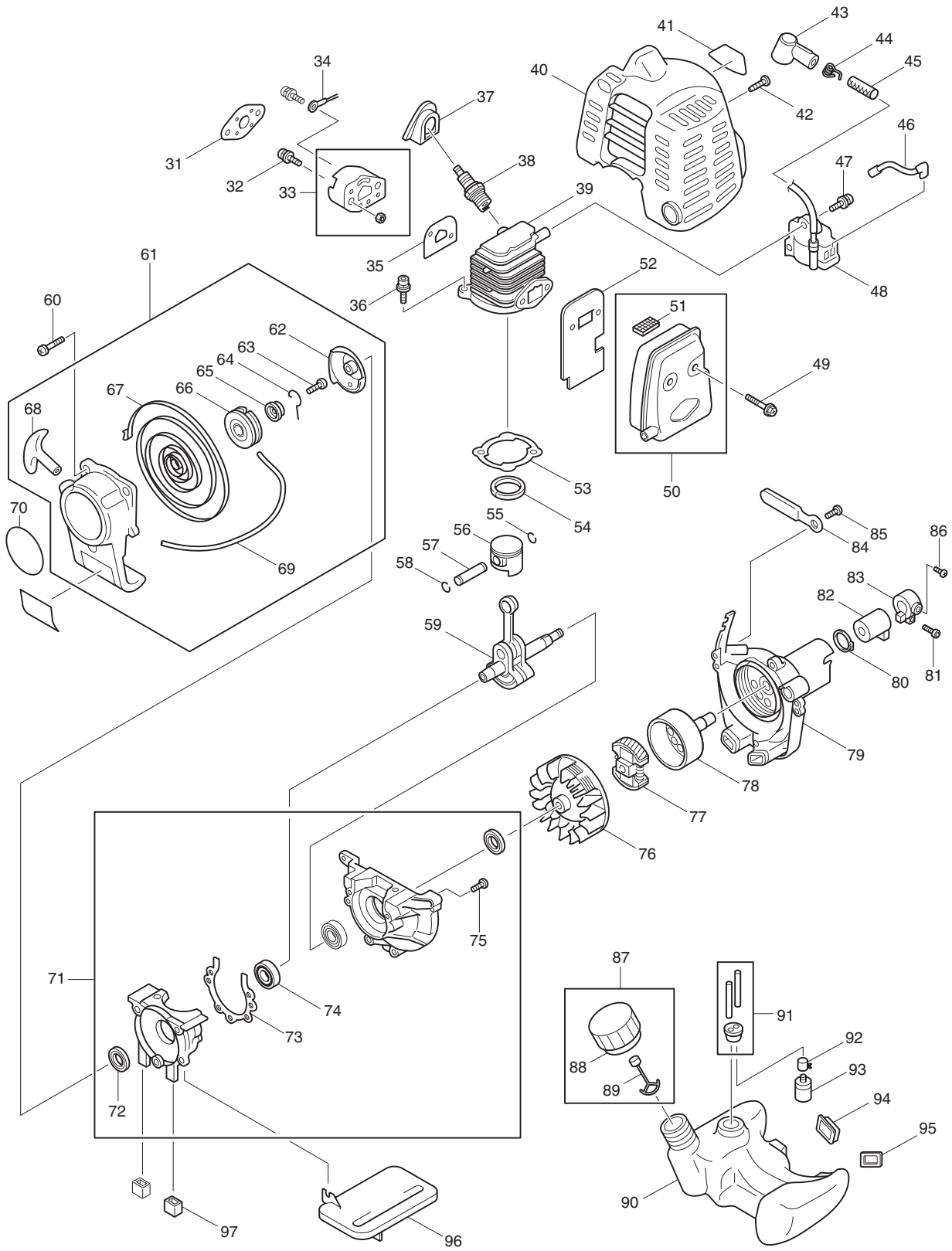
995 700 253 (GB)



LT-210

DOLMAR

Page	Pos.	LT-210	LT-250	Part No.	Notes	Description	Specifications
1	1	1		381 450 070		GRIP	
1	2	1		381 502 800		CONTROL LEVER ASSY	INC. 3,5-12
1	3	1		381 501 811		WIRE SET	INC. 4
1	4	1		381 501 812		CONTROL CABLE	
1	5	1		381 501 805		TUBE	
1	6	3		381 350 530		SCREW ASSEMBLY	M5X30(SW)
1	7	1		381 501 806		LEVER SWITCH	
1	8	1		381 501 813		SWITCH PLATE	
1	9	1		381 501 803		LEVER	
1	10	1		381 501 804		SPRING	
1	11	1		381 502 803		TAPPINGU SCREW	5X12
1	12	3		367 180 500		NUT	M5
1	13	1		381 401 000		HANDLE ASSY	INC. 14,15
1	14	3		381 350 530		SCREW ASSEMBLY	M5X30(SW)
1	15	3		367 180 500		NUT	M5
1	16	1		381 951 180		CAUTION LABEL	
1	17	1		381 101 900		FLEXIBLE PIPE UNIT	
1	18	1		388 150 130		FLEXIBLE SHAFT	
1	19	1		388 300 400		GEAR CASE ASSY	INC. 20-27
1	20	1		381 350 080		CUTTER SHAFT	
1	21	2		388 350 060		BEARING BALL	#608ZZ
1	22	1		382 350 070		SPACER	
1	23	1		388 700 510		CROSS RECESS HEAD BOLT	
1	24	1		382 350 090		WASHER	
1	25	1		381 350 100		WASHER SPRING	
1	26	1		381 350 110		RECEIVE WASHER	
1	27	1		388 300 212		BOLT ASSY	
1	28	1		381 801 600		PROTECTOR ASSY	
1	29	1		367 951 470		CAUTION LABEL	
1	30	1		381 150 150		SPACER	

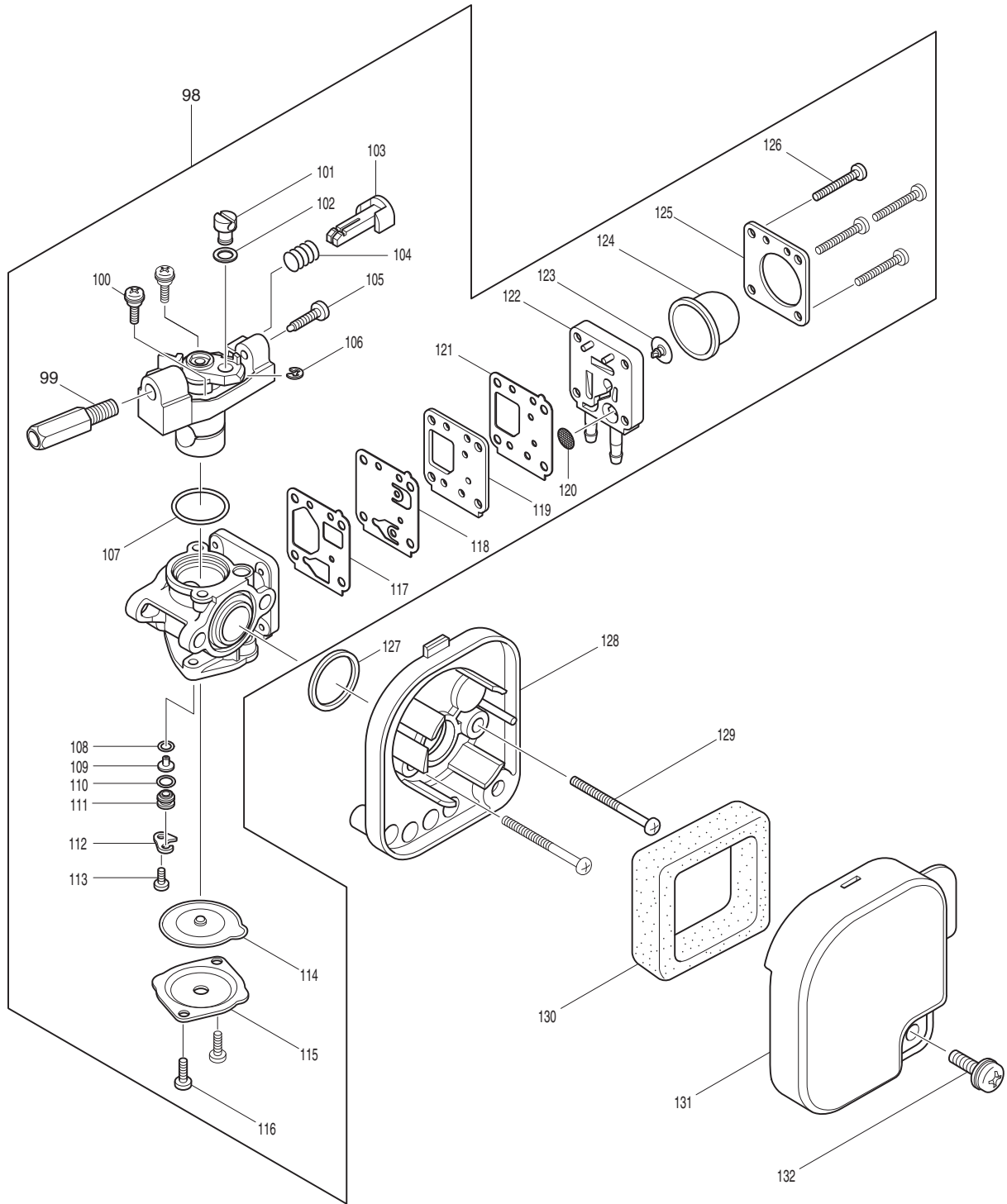


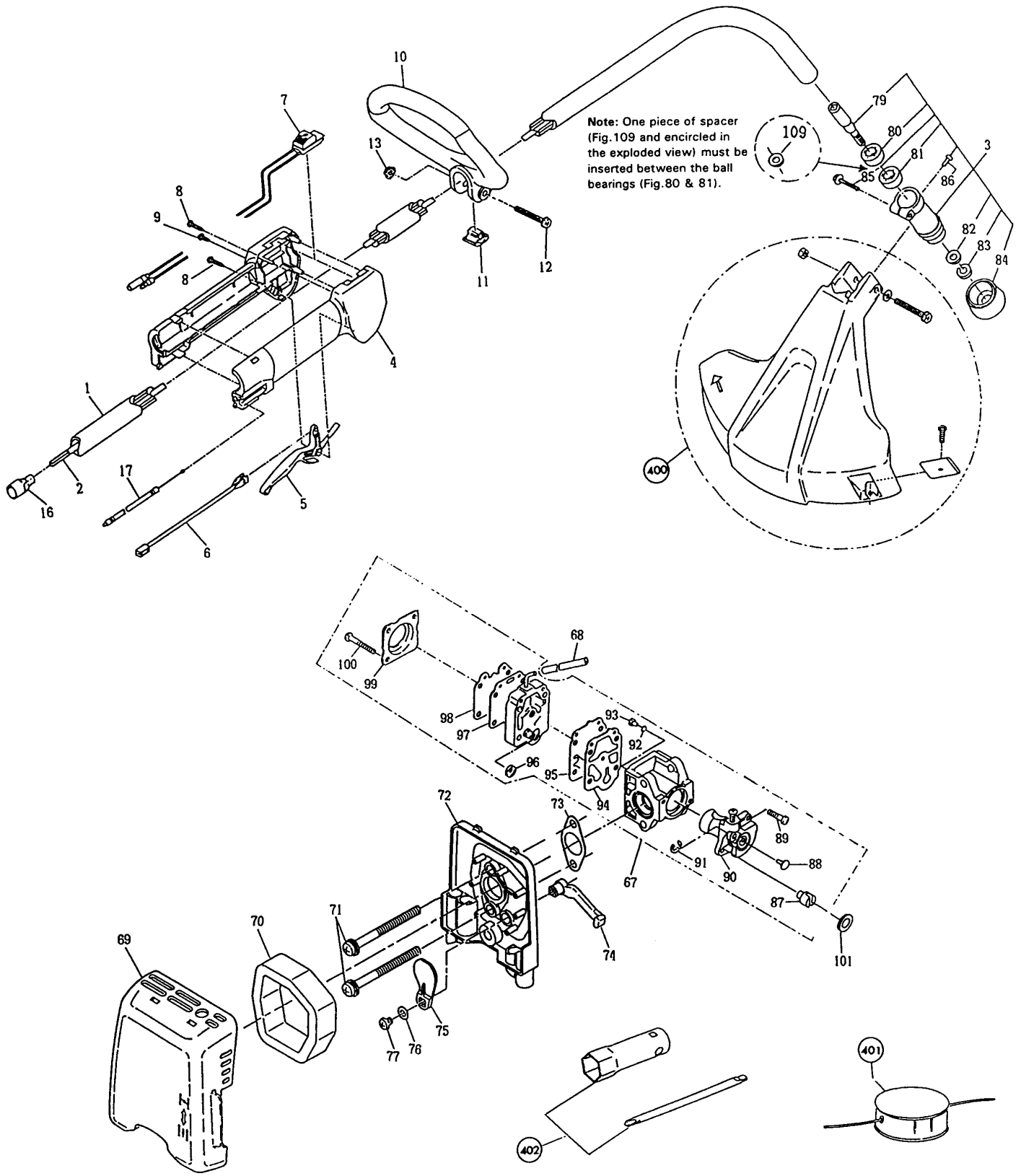
LT-210

DOLMAR



Page	Pos.	LT-210	LT-250	Part No.	Notes	Description	Specifications
2	31	1		381 350 280		SPACER GASKET	
2	32	2		388 005 950		SCREW	M5X25
2	33	1		381 301 400		INSULATOR COMPL.	
2	34	1		381 550 020		WIRE	
2	35	1		377 350 050		INSULATOR GASKET	
2	36	2		382 905 973		SOCKET HEAD BOLT	M5X20
2	37	1		388 750 010		PLUG CAP COVER	
2	38	1		374 014 971		SPARK PLUG	
2	39	1		381 150 090		CYLINDER	
2	40	1		381 550 310		CYLINDER COVER	
2	41	1		381 950 810		TRADE MARK LABEL "DOLMAR"	
2	42	1		388 005 979		TAPPING SCREW	5X14
2	43	1		388 500 987		PLUG CAP	
2	44	1		377 400 993		PLUG CAP SPRING	
2	45	1		374 108 995		TUBE	
2	46	1		374 701 800		WIRE COMPL	
2	47	2		381 004 977		SCREW ASSY	M4X16(W,SW)
2	48	1		374 701 101		IGNITION COIL	
2	49	2		367 905 952		SOCKET HEAD BOLT	M5X40
2	50	1		368 300 100		EXHAUST MUFFLER	INC. 51
2	51	1		374 300 105		SPARK ARRESTER	
2	52	1		383 350 000		INSULATOR,MUFFLER	
2	53	1		382 150 030		CYLINDER GASKET	
2	54	1		374 250 050		PISTON RING	
2	55	1		388 508 997		CLIP	
2	56	1		374 250 170		PISTON	
2	57	1		367 250 050		PISTON PIN	
2	58	1		388 508 997		CLIP	
2	59	1		388 200 100		CRANKSHAFT COMPLETE	
2	60	3		381 004 977		SCREW ASSY	M4X16(W,SW)
2	61	1		381 500 900		REWIND STARTER	INC. 62-69
2	62	1		367 550 000		PULLEY	
2	63	1		367 500 206		SET SCREW	
2	64	1		367 500 210		SWING ARM	
2	65	1		367 500 211		COLLAR	
2	66	1		383 500 203		REEL	
2	67	1		381 500 205		SPIRAL SPRING	
2	68	1		388 500 402		HANDLE	
2	69	1		388 501 602		STARTER ROPE	
2	70	1		381 950 810		TRADE MARK LABEL "DOLMAR"	
2	71	1		383 100 400		CRANK CASE ASS'Y	INC. 72-75
2	72	2		374 010 998		OIL SEAL	
2	73	1		318 150 040		CRANKCASE GASKET	
2	74	2		381 010 998		BALL BEARING	6000
2	75	3		388 005 952		SCREW	M5X25
2	76	1		374 701 701		FLYWHEEL	
2	77	1		381 200 600		CLUTCH	
2	78	1		381 201 100		CLUTCH DRUM COMPLETE	
2	79	1		374 100 600		CLUTCH CASE COMPLETE	
2	80	1		374 151 000		OUTER SNAP RING	10
2	81	1		383 905 988		SOCKET HEAD BOLT	M5X25
2	82	1		374 150 020		PIPE DAMPER	
2	83	1		374 150 130		PIPE BRACKET	
2	84	1		374 605 998		CLAMP	
2	85	3		374 005 978		TAPPING SCREW	M5X20
2	86	1		374 905 985		SOCKET HEAD BOLT	M5X14
2	87	1		377 605 900		FUEL TANK CAP COMPLETE	INC. 88,89
2	88	1		374 605 800		FUEL TANK CAP	
2	89	1		374 606 700		STRAP	
2	90	1		382 650 000		FUEL TANK	
2	91	1		374 115 992		TUBE	
2	92	1		381 105 999		HOSE CLAMP	
2	93	1		382 650 390		FILTER	
2	94	1		381 650 020		PLATE	
2	95	1		381 650 030		PLATE	
2	96	1		383 350 010		PLATE	
2	97	2		381 650 025		DAMPER	





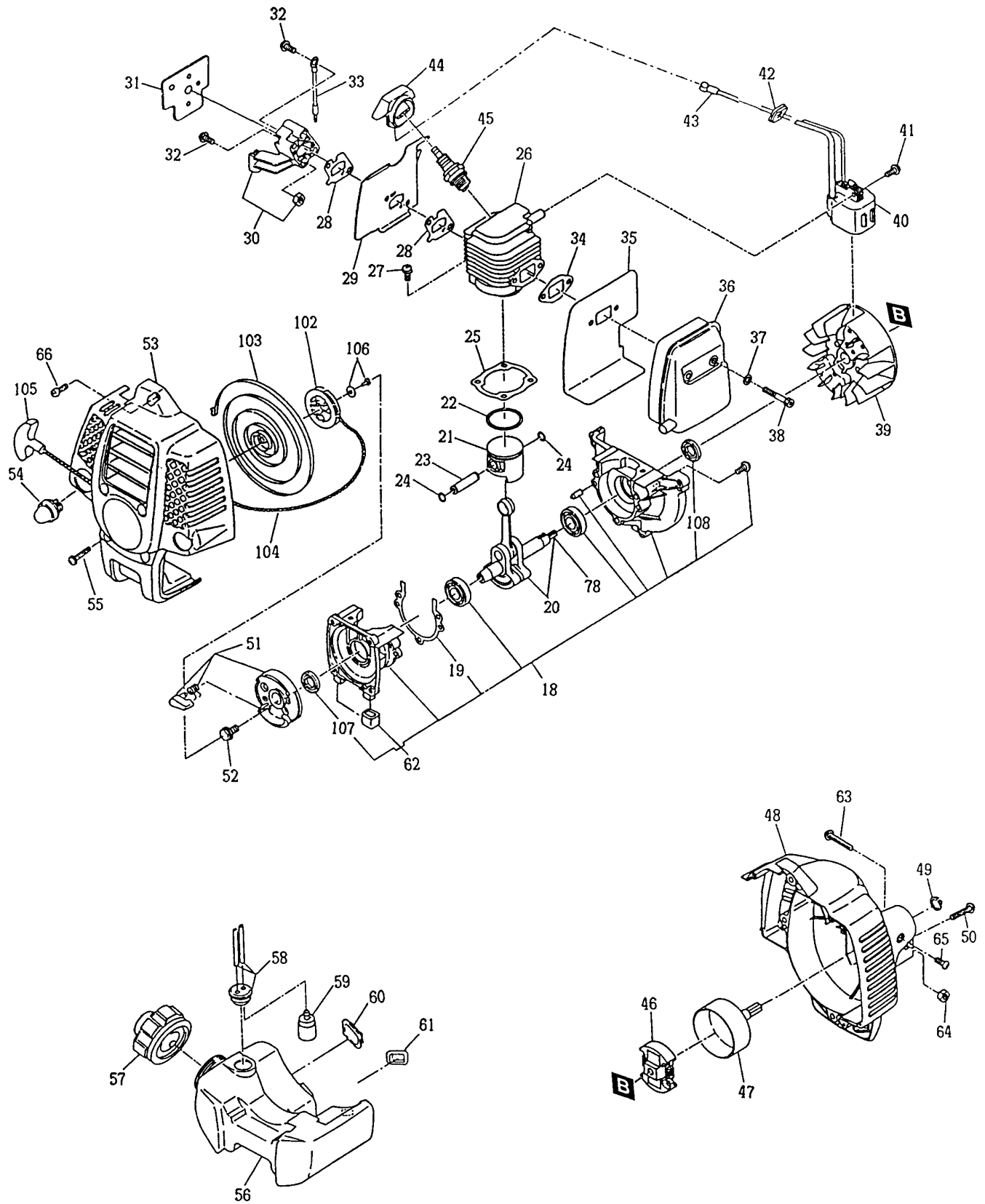
Note: One piece of spacer (Fig. 109 and encircled in the exploded view) must be inserted between the ball bearings (Fig. 80 & 81).

LT-250

DOLMAR



Page	Pos.	LT-210	LT-250	Part No.	Notes	Description	Specifications
4	1		1	381 100 600		FLEXIBLE PIPE UNIT	INCL. FIG. 16
4	2		1	388 100 503		FLEXIBLE SHAFT	
4	3		1	388 300 200		GEAR CASE CPL.	INCL. FIG. 79 - 86 & 109
4	4		1	388 501 200		CONTROL LEVER ASS'Y	INCL. FIG. 5 - 9
4	5		1	388 550 060		LEVER	
4	6		1	388 550 070		CONNECTOR	
4	7		1	388 500 900		SWITCH CPL.	
4	8		2	388 004 992		TAPPING SCREW	
4	9		1	388 004 991		TAPPING SCREW	
4	10		1	388 400 300		HANDLE CPL.	
4	11		1	388 950 020		SPACER	
4	12		1	374 006 982		BOLT	
4	13		1	388 370 600		FLANGE NUT	
4	16		1	388 100 504		SPACER	
4	17		1	388 003 990		CONTROL CABLE	
4	67		1	388 604 700		CARBURETOR	INCL. FIG 87-100
4	68		1	367 114 996		TUBE	2.5X5X140
4	69		1	388 350 460		AIR CLEANER CASE	
4	70		1	388 350 470		AIR CLEANER ELEMENT	
4	71		2	388 360 565		SCREW	M5X62
4	72		1	388 350 450		CLEANER PLATE	
4	73		1	388 350 420		GASKET	
4	74		1	388 350 480		CHOKE LEVER	
4	75		1	388 350 500		CHOKE PLATE	
4	76		1	388 110 400		WASHER	
4	77		1	388 004 998		TAPPING SCREW	M4X8
4	79		1	388 300 302		CUTTER SHAFT	
4	80		1	388 300 203		BALL BEARING	608LLU
4	81		1	388 300 203		BALL BEARING	608LLU
4	82		1	388 300 205		WASHER	
4	83		1	388 300 206		SPRING WASHER	
4	84		1	388 850 080		RECEIVE WASHER	
4	85		1	388 300 212		BOLT ASS'Y	
4	86		1	388 700 510		C. R. HEAD BOLT	
4	87		1	381 601 804		SWIVEL	
4	88		1	381 600 811		PLUG	
4	89		2	388 600 803		PAN HEAD SCREW	
4	90		1	388 604 702		THROTTLE VALVE	
4	91		1	381 600 512		RING	
4	92		1	381 600 101		O-RING	
4	93		1	381 600 201		JET	
4	94		1	381 600 103		PUMP GASKET	
4	95		1	381 600 104		PUMP DIAPHRAGM	
4	96		1	381 600 401		INLET SCREEN	
4	97		1	388 600 413		GASKET	
4	98		1	381 600 525		METERING DIAPHRAGM ASS'Y	
4	99		1	388 600 503		PRIMPER PUMP COVER	
4	100		1	388 600 202		PAN HEAD SCREW	
4	101		1	388 950 000		HOLDER	
4	109		1	388 300 304		SPACER	
4	400		1	388 800 600		PROTECTOR ASS'Y	
4	401		1	381 224 262		TRIMMER HEAD	
4	402		1	388 901 900		TOOL KIT	



LT-250

DOLMAR



Page	Pos.	LT-210	LT-250	Part No.	Notes	Description	Specifications
5	18		1	388 101 100		CRANKCASE CPL.	INCL. FIG. 19, 107 & 108
5	19		1	388 150 220		CRANKCASE GASKET	
5	20		1	367 201 100		CRANKSHAFT CPL.	INCL. FIG. 78
5	21		1	388 250 190		PISTON	
5	22		1	382 250 070		PISTON RING	
5	23		1	388 250 260		PISTON PIN	
5	24		2	388 508 997		CLIP	
5	25		1	388 150 230		CYLINDER GASKET	
5	26		1	388 150 180		CYLINDER	
5	27		2	374 005 970		SCREW ASS'Y	M5X20
5	28		2	388 350 390		INSULATOR GASKET	
5	29		1	388 350 400		CARBURETOR INSULATOR	
5	30		1	388 303 800		INSULATOR CPL.	
5	31		1	388 350 410		INSULATOR GASKET	
5	32		2	388 005 950		SCREW	M5X25
5	33		1	388 550 120		WIRE	
5	34		1	388 350 430		MUFFLER GASKET	
5	35		1	388 350 440		MUFFLER INSULATOR	
5	36		1	388 303 700		EXHAUST MUFFLER	
5	37		2	381 100 500		WASHER	M5
5	38		2	388 905 960		S. H. BOLT	M5X45
5	39		1	388 703 101		FLYWHEEL	
5	40		1	388 703 102		COIL	
5	41		2	367 004 992		SCREW ASS'Y	M4X20
5	42		1	388 750 320		GROMMET	
5	43		1	377 400 993		PLUG CAP SPRING	
5	44		1	388 750 330		PLUG CAP	
5	45		1	381 014 981		SPARK PLUG	
5	46		1	388 200 500		CLUTCH ASS'Y	
5	47		1	388 200 400		CLUTCH DRUM CPL.	
5	48		1	381 503 500		ENGINE COVER CPL.	
5	49		1	374 151 000		OUTER SNAP RING	10
5	50		3	374 005 970		SCREW ASS'Y	M5X20
5	51		1	388 500 300		PULLEY	
5	52		1	388 550 470		BOLT ASS'Y	
5	53		1	388 503 300		STARTER COVER CPL.	INCL. FIG. 51, 102-106
5	54		1	388 650 430		PUMP	
5	55		4	374 005 945		SCREW	M5X18
5	56		1	388 650 410		FUEL TANK	
5	57		1	388 600 200		FUEL TANK CAP ASS'Y	
5	58		1	388 604 800		TUBE	
5	59		1	382 650 390		FILTER	
5	60		1	381 650 030		PLATE	
5	61		1	381 650 020		PLATE	
5	62		2	381 650 025		DAMPER	
5	63		2	388 360 530		SCREW ASS'Y	
5	64		2	381 270 500		NUT	M5
5	65		1	388 005 995		TAPPING SCREW	M5X8
5	66		1	388 550 460		TAPPING SCREW	
5	78		1	388 250 240		STUD	
5	102		1	381 500 202		REEL	
5	103		1	381 500 203		SPIRAL SPRING	
5	104		1	381 500 206		STARTER ROPE	
5	105		1	388 500 402		HANDLE CPL.	
5	106		1	388 500 301		SET SCREW	
5	107		1	388 012 997		OIL SEAL	
5	108		1	388 012 997		OIL SEAL	

LT-210	1	Pipe, handle, protector, gear case
	2	Engine, starter, clutch, fuel tank, exhaust muffler
	3	Carburetor, air cleaner, accessories
LT-250	4	Pipe, handle, protector, gear case, carburetor, air cleaner, accessories
	5	Engine, starter, clutch, fuel tank, exhaust muffler

	Key to symbols
⇒ 1999999 2000000 ⇒ 2003.04 ⇒ TI 2003/07 Acc. = { m Corr.	Production to serial number New part from serial number New part from Year / Month See Technical Information Year / No. Accessories (not included in the delivery inventory) No standard execution, may be used Contains item number Sold by the meter Error correction
	Specifications subject to change without notice